



SCHEMATICS

CUSTOMER SERVICE
1-800-446-1071

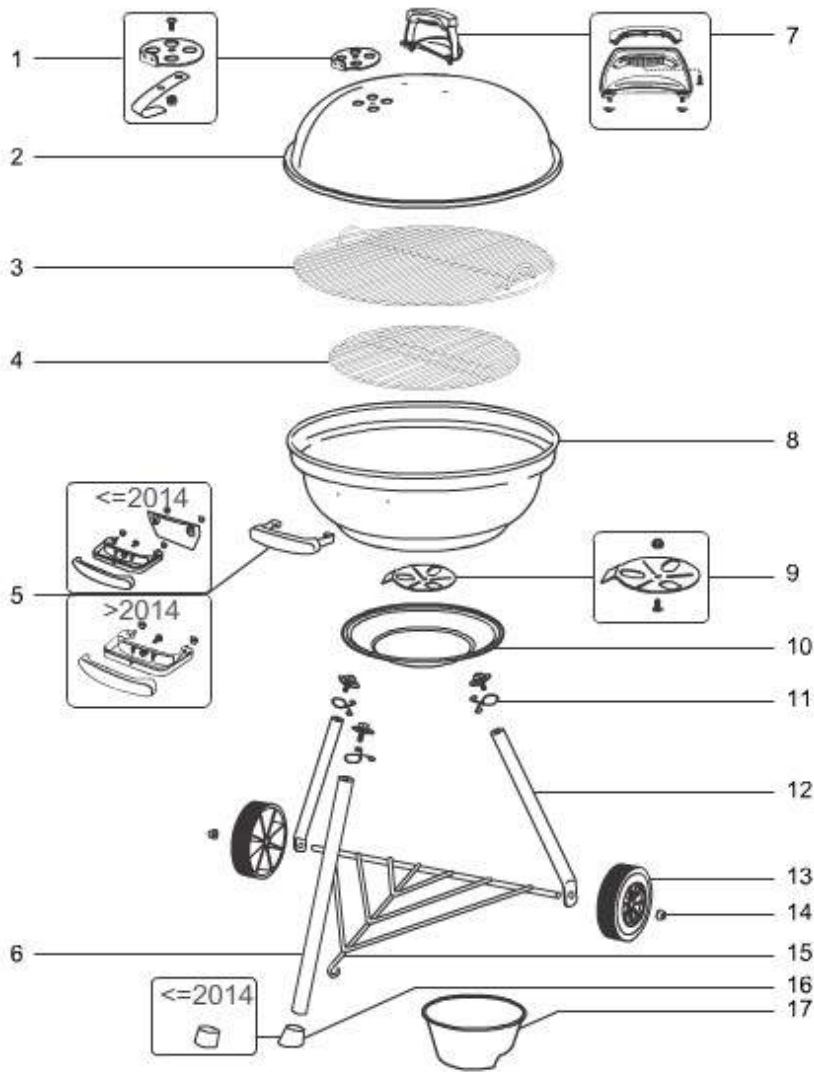
Export (general) / Charcoal / Compact Kettles

[VIEW ALL](#)

MODEL #: 1321004 DESCRIPTION: COMPACT KETTLE 57CM BLK (2010) (EXPORT)

[Print Schematic](#)

Compact XV EU AG 2015
Additional Parts



04.14

| SEQ | DESCRIPTION | PART# |
|-----|---|-------|
| A | Charcoal owners guide '13, EU | 54770 |
| A | Assembly guide, 47/57cm Compact. export | 54235 |
| W | Ash catcher clips (pack of 3) | 60701 |
| W | Hardware kit, Compact '10 - export | 88562 |
| W | Complete hardware kit, 57cm Compact '10 | 88564 |

| | | |
|-----|---|--------|
| 1 | Lid damper kit, 57cm Compact | 65448 |
| 2 | Lid assembly, 57cm Compact, black '15 | 65451 |
| 3 | 22.5" Cooking grate, Compact grills | 74172 |
| 4 | Charcoal grate for 57cm compact grills (packaged) | 80750 |
| 5 | Bowl handle kit, Compact '15 - export | 65444 |
| 5 | Handle kit for bowl, 57 cm Compact '10 | 80683 |
| 6 | Front leg, Compact - export | 65467 |
| 7 | Handle kit w/shield, gray 47cm Compact | 65447 |
| 8 | Bowl for 57 cm Compact Grill. Black. | 98167 |
| 9 | Bowl damper, 57cm Compact '15 | 65454 |
| 10 | Ash catcher 22.5" Compact '15 - export | 65443 |
| 11 | Ash catcher clips (pack of 3) | 60701 |
| 12 | Rear legs (set of 2), Compact - export | 70178 |
| 13 | 6" Wheel (set of 2) w/black wall | 80748 |
| 14 | Replacement hubcaps (pack of 3) | 987101 |
| 15 | Triangle, black, 57cm Compact '15 | 65453 |
| 16 | Hardware pack #2, 47/57 cm Compact | 71780 |
| 16 | Leg cap tube, white | 87201 |
| 17 | Measuring cup, '15 | 65456 |
| 410 | Assembly guide, 47/57cm Compact. export | 54235 |
| 410 | Charcoal owners guide '13, EU | 54770 |
| 470 | Ash catcher clips (pack of 3) | 60701 |
| 470 | Hardware kit, Compact '10 - export | 88562 |
| 470 | Complete hardware kit, 57cm Compact '10 | 88564 |

29 Items Found

[SCROLL TO TOP](#)

[View All](#)